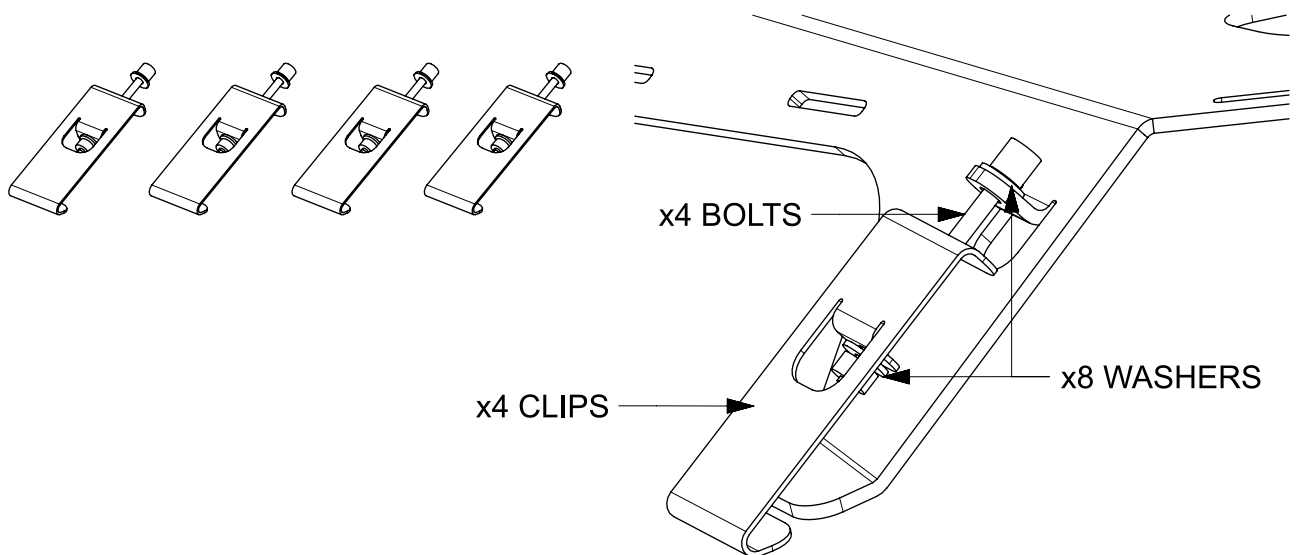
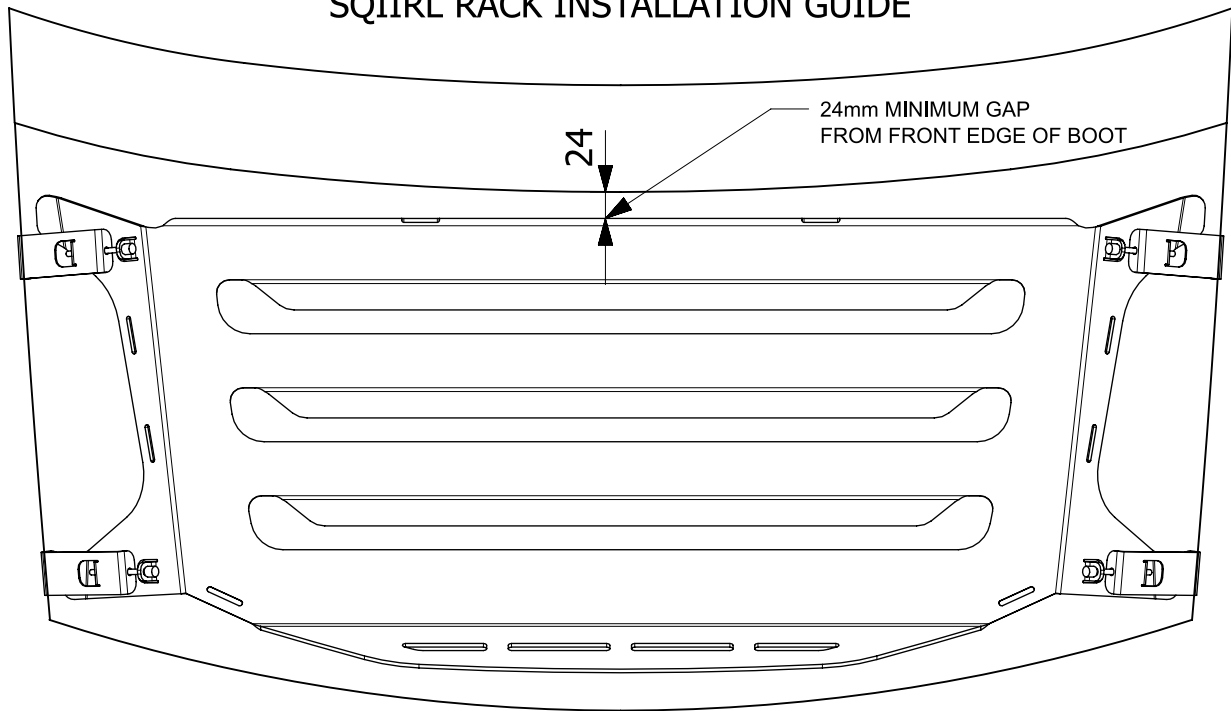




SQIIRL RACK INSTALLATION GUIDE



First prop the boot lid open to around 15 degrees and make sure it is not going to slam shut while you are positioning and securing rack.

Remove two of the fixing claps from one side of the rack with a 5mm allen key and 10mm spanner making sure not to lose any washers. Next hook the rack from the side with the two clamps still attached so the clamps go under the boot lid. Proceed to reattaching the clamps on the other side and make sure the clamp tabs are under the boot lid. Do not fully tighten the clamps until you have positioned the rack centrally on the boot lid and a minimum of 24mm away from the front edge.

Tighten the bolts gradually, working your way around the rack a few times before fully tightening and ensure the clamps are inline with the edge of the boot before closing it. Do not tighten one bolt all the way without securing them all first.