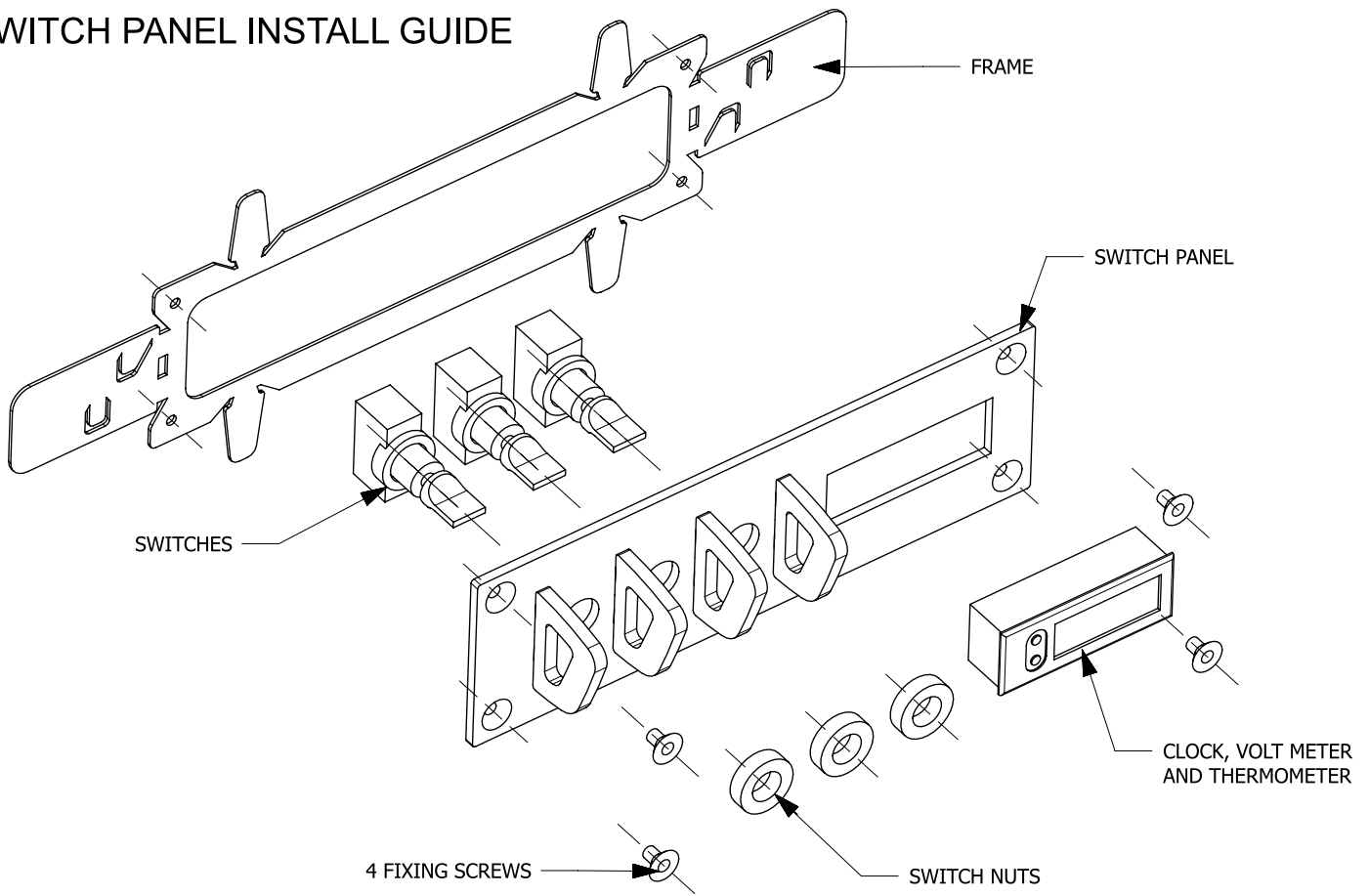
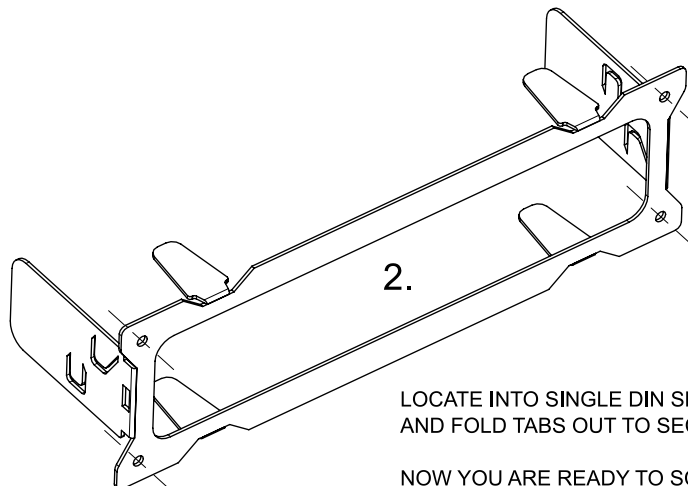
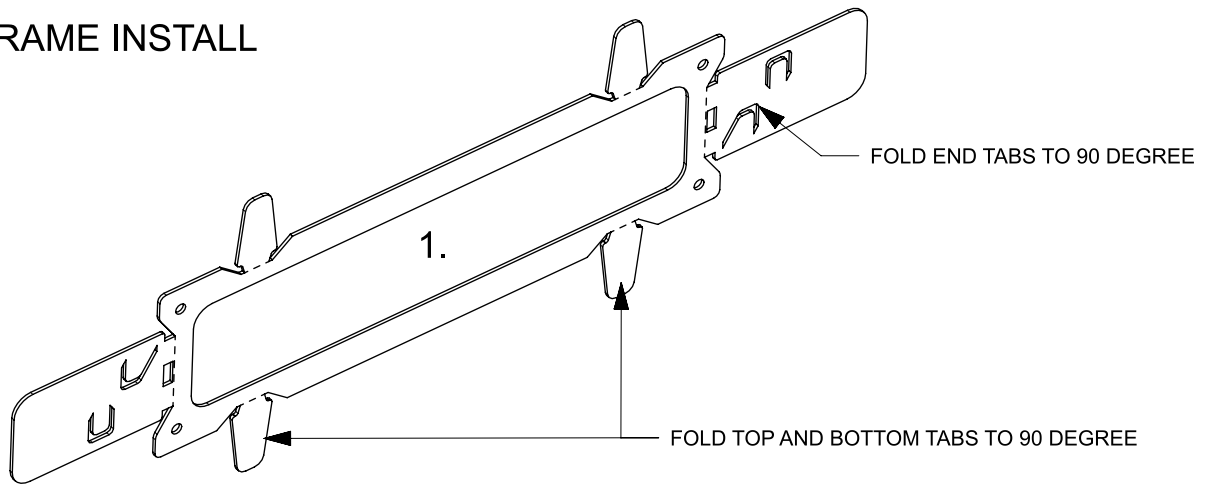




# SWITCH PANEL INSTALL GUIDE



## FRAME INSTALL



LOCATE INTO SINGLE DIN SLOT AND FOLD TABS OUT TO SECURE.

NOW YOU ARE READY TO SCREW YOUR SWITCH PANEL IN PLACE